

# Tee and Pass-Through Towers

Tee Towers put the faucets where the action is. A 20" box on a 4" column makes this tower extra sturdy. Tee Towers are available with up to eight faucets.



8519-43

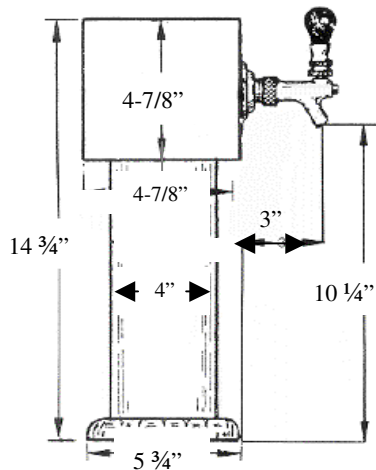


8530-83

The Pass-Through standards are built extra strong. Two sturdy 4" columns support the large 30" box that will hold up to 12 faucets. Great for air shafts or remote glycol systems.

## Pass Through Towers

- 8517-12 Four Faucets Brass
- 8517-13 Four Faucets Chrome
- 8517-14 Four Faucets Classic Black
- 8517-22 Five Faucets Brass
- 8517-23 Five Faucets Chrome
- 8517-24 Five Faucets Classic Black
- 8517-32 Six Faucets Brass
- 8517-33 Six Faucets Chrome
- 8517-34 Six Faucets Classic Black
- 8517-32 Seven Faucets Brass
- 8517-33 Seven Faucets Chrome
- 8517-34 Seven Faucets Classic Black
- 8517-32 Eight Faucets Brass
- 8517-33 Eight Faucets Chrome
- 8517-34 Eight Faucets Classic Black
- 8517-12 Nine Faucets Brass
- 8517-13 Nine Faucets Chrome
- 8517-14 Nine Faucets Classic Black
- 8517-22 Ten Faucets Brass
- 8517-23 Ten Faucets Chrome
- 8517-24 Ten Faucets Classic Black
- 8517-32 Eleven Faucets Brass
- 8517-33 Eleven Faucets Chrome
- 8517-34 Eleven Faucets Classic Black
- 8517-42 Twelve Faucets Brass
- 8517-43 Twelve Faucets Chrome
- 8517-44 Twelve Faucets Classic Black



The Tee and Pass-Through style towers are now made with our newly developed glycol heat exchanger. This unique new system provides improved performance when used in conjunction with a remote glycol beer system. The fully foamed "glycol block" drops into the tower and is easily removed if necessary. This new glycol heat exchanger utilizes screw-in shanks. Unlike all other screw-in type shanks available in the industry, a set screw is used to stop the shanks from being inadvertently loosened.

## Tee Towers

- 8517-12 Four Faucets Brass
- 8517-13 Four Faucets Chrome
- 8517-14 Four Faucets Classic Black
- 8517-22 Five Faucets Brass
- 8517-23 Five Faucets Chrome
- 8517-24 Five Faucets Classic Black
- 8517-32 Six Faucets Brass
- 8517-33 Six Faucets Chrome
- 8517-34 Six Faucets Classic Black
- 8517-42 Seven Faucets Brass
- 8517-43 Seven Faucets Chrome
- 8517-44 Seven Faucets Classic Black
- 8517-52 Eight Faucets Brass
- 8517-53 Eight Faucets Chrome
- 8517-54 Eight Faucets Classic Black



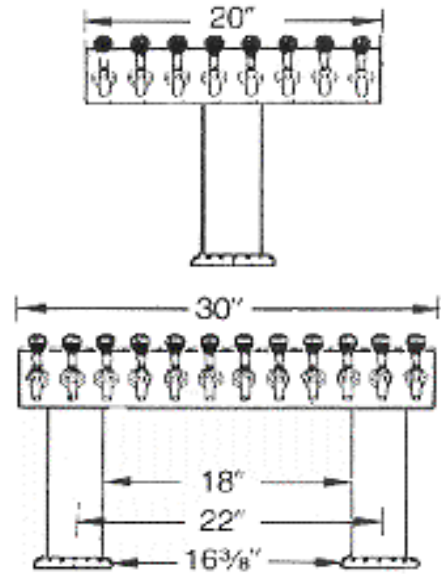
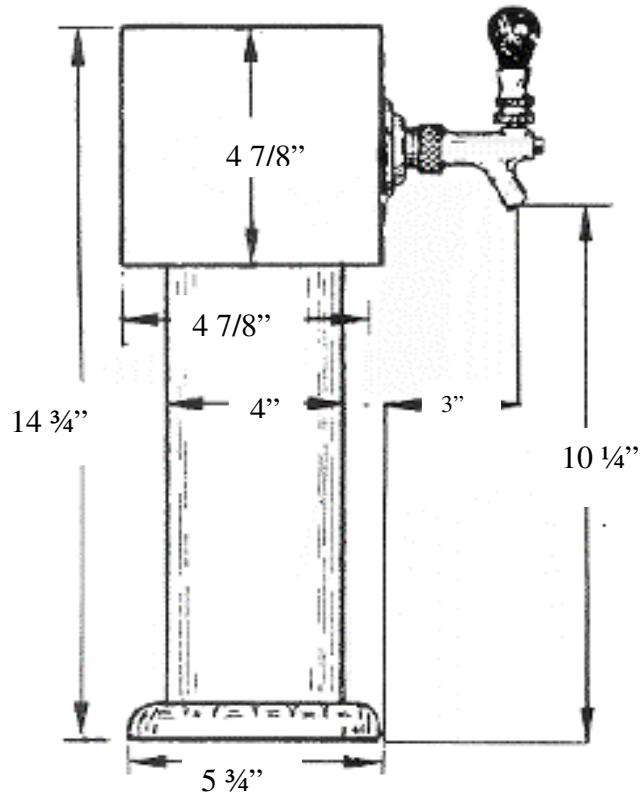
AC BEVERAGE, INC.  
DRAUGHT BEER SPECIALISTS

1993-7 Moreland Pkwy ♦ Annapolis, MD 21401

800-925-3818

Tel: (410) 268-0714 ♦ Fax: (410) 268-8300

## Tee Tower and Pass-Through Tower Specifications



Dimension for  
selection of  
drip tray



**AC BEVERAGE, INC.**  
DRAUGHT BEER SPECIALISTS  
**800-925-3818**

1993-7 Moreland Pkwy ♦ Annapolis, MD 21401

Tel: (410) 268-0714 ♦ Fax: (410) 268-8300